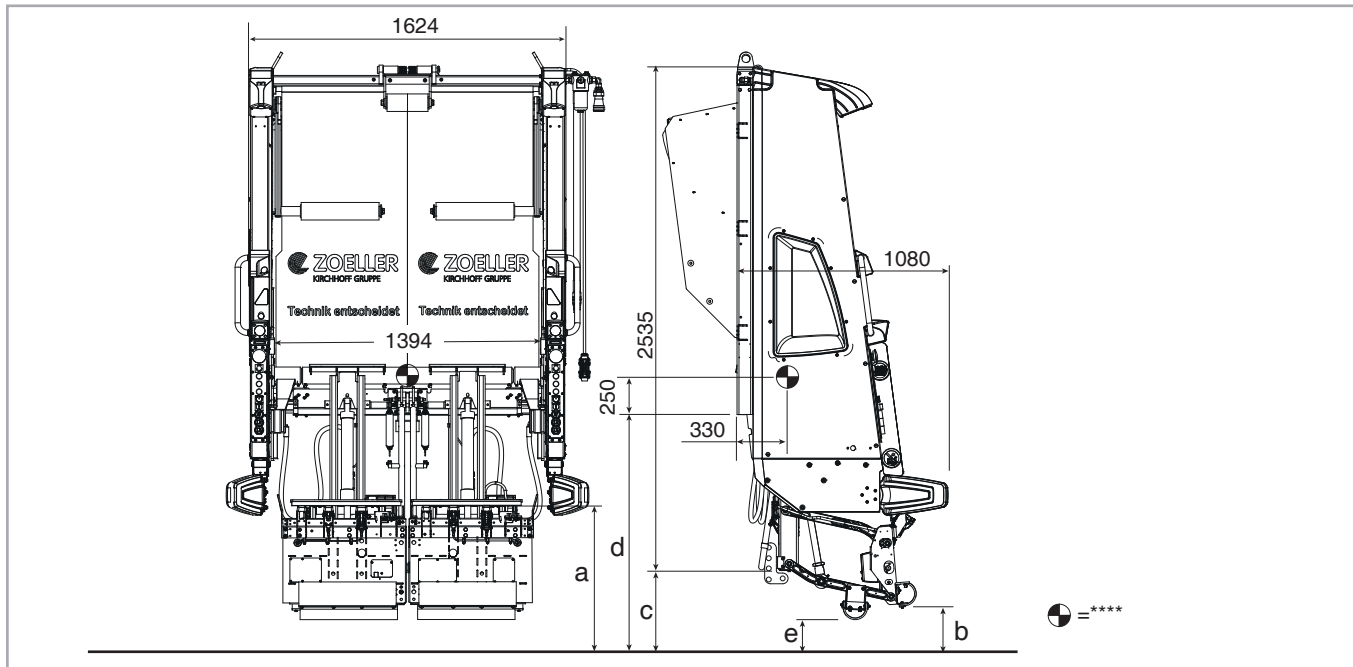


DELTA 2322 High Level Lifter (HL)



ZOELLER-DELTA System 2322 – The split automatic lifter



Legend

- * Cycle time (without dwell time) depends on installation height, container size and oil viscosity.
- ** Lifting and tipping capacities refer to max. use of nominal container capacity with a refuse density acc. to standard.
- *** Data relating to working area w/o container.
- **** Position of lifter gravity centre with swinging arms in lowered position.

°) depending on lifter equipment

© by ZÖLLER-KIPPER GmbH • As of: 06/2021
Technical data subject to modification without prior notice.

Container types	Cont.	Cont.	Cont.	Cont.
Specification in accordance with model list	80/120 I	140/240/340 I	500-1200 I	770-1300 I
Special containers upon request	EN 840-1	EN 840-1	EN 840-2	EN 840-3
Lifter dimensions in mm				
a Setting height	820	900	900	900
b Ground clearance, lifting carriage	300	380	380	380
c Ground clearance, swinging arm	345-800	345-800	345-800	345-800
d Installation height	1150-1550	1150-1550	1150-1550	1150-1550
e Ground clearance, cont. support	165-380	245-380	245-380	245-380
Technical data				
Cycle time *	app. 5-7 s	app. 5-7 s	app. 10-12 s	app. 10-12 s
Lifting and tipping capacities **	2x1500 N	2x1500 N	7000 N	7000 N
Noise level *** approx.	70 dB (A)	70 dB (A)	66 dB (A)	66 dB (A)
Hydraulic flow at coupling	40-46 l/min			
Operating pressure	180 bar			
Operating voltage	24 V			
Weight °)	app. 690 kg			

ZÖLLER-KIPPER GmbH • Hans-Zöller-Straße 50-68 • D-55130 Mainz • Tel. +49(0)6131-887-0 • Fax +49(0)6131-882382 • info@zoeller-kipper.de • www.zoeller-kipper.de

