

BLUEPOWER

WITH HYDROGEN FOR A CLEAN TOMORROW



ADVANTAGES



H₂ fuel cells as range extenders



Ranges of up to 400 km possible**



Short charging times thanks to hydrogen refuelling in 7-15 minutes*



Modular tank & fuel cell system

* depending on tank volume
** depending on operating conditions

ABOUT THE BLUEPOWER

An emission-free, virtually silent hydrogen drive that, in combination with a fully electric chassis, achieves the operating times and ranges of conventionally powered vehicles. Utilises a glider based on the Mercedes Benz Econic chassis –

in combination with a drive train developed in-house. Ideal for use in the waste disposal industry and for cities, local authorities and waste disposal companies that want to rely on pioneering technology.

SERIES OPTIONS

BASIC CONSTRUCTION:

- **Battery pack** with battery capacity of 85 kWh
- **Fuel cells** with optional 30 to 90 kW
- **Hydrogen tanks** with storage capacity from 150 kWh to 600 kWh
- Extendable with various safety & assistance systems

USE IN COMBINATION WITH:

- X-Family
- All common hydraulic and electric lift systems

Under certain conditions, hydrogen vehicles can be subsidised by the German government. Information can be obtained from NOW GmbH:

Gefördert durch:



Koordiniert durch:



Bewilligungsbehörde:



aufgrund eines Beschlusses
des Deutschen Bundestages

Further
Information

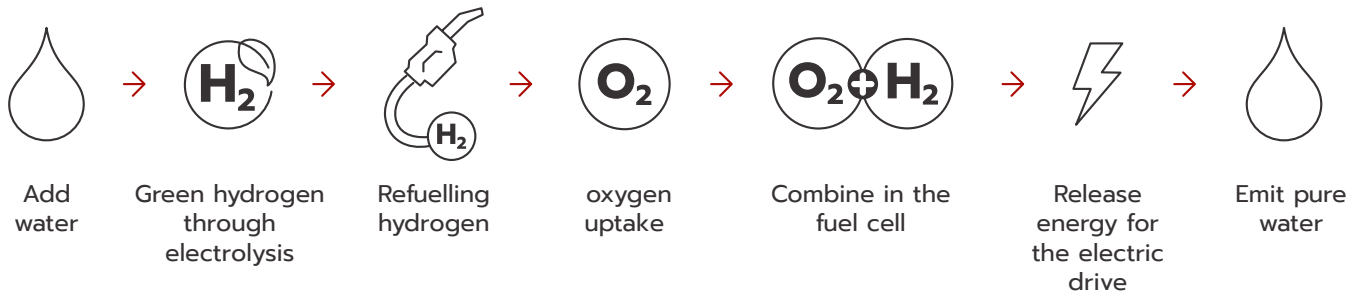


TECHNIK ENTSCHEIDET.

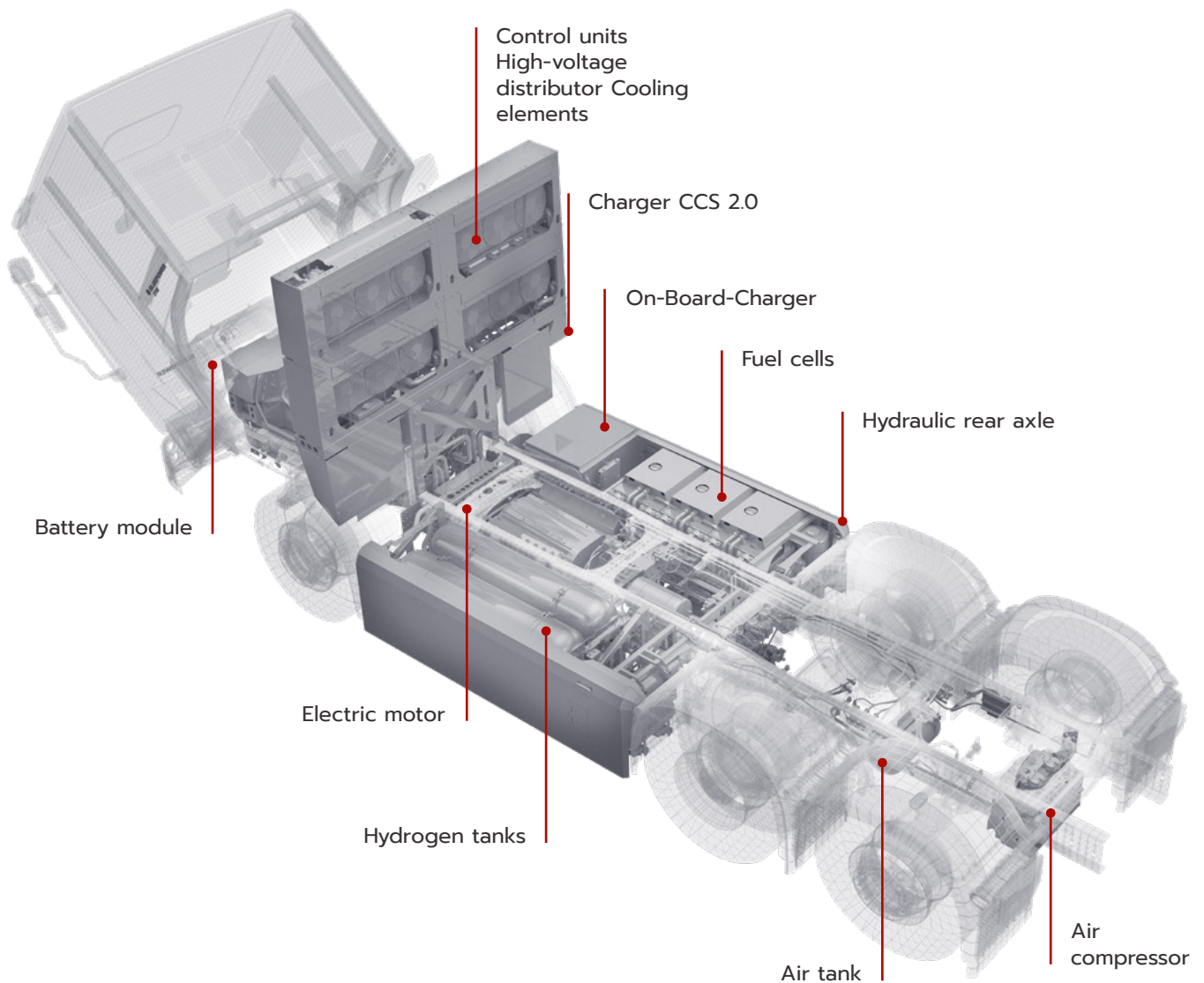
ZÖLLER-KIPPER GmbH
Hans-Zöller-Str. 50-68
55130 Mainz

T: +49 (0) 6131-887-0
info@zoeller-kipper.de
www.zoeller-kipper.de

**ON THE MOVE WITH HYDROGEN:
THE PRINCIPLE OF CLIMATE-NEUTRAL DRIVE TECHNOLOGY**



If the necessary BLUEPOWER components are installed in a chassis without conventional drive technology (gliders):



TECHNIK ENTSCHEIDET.