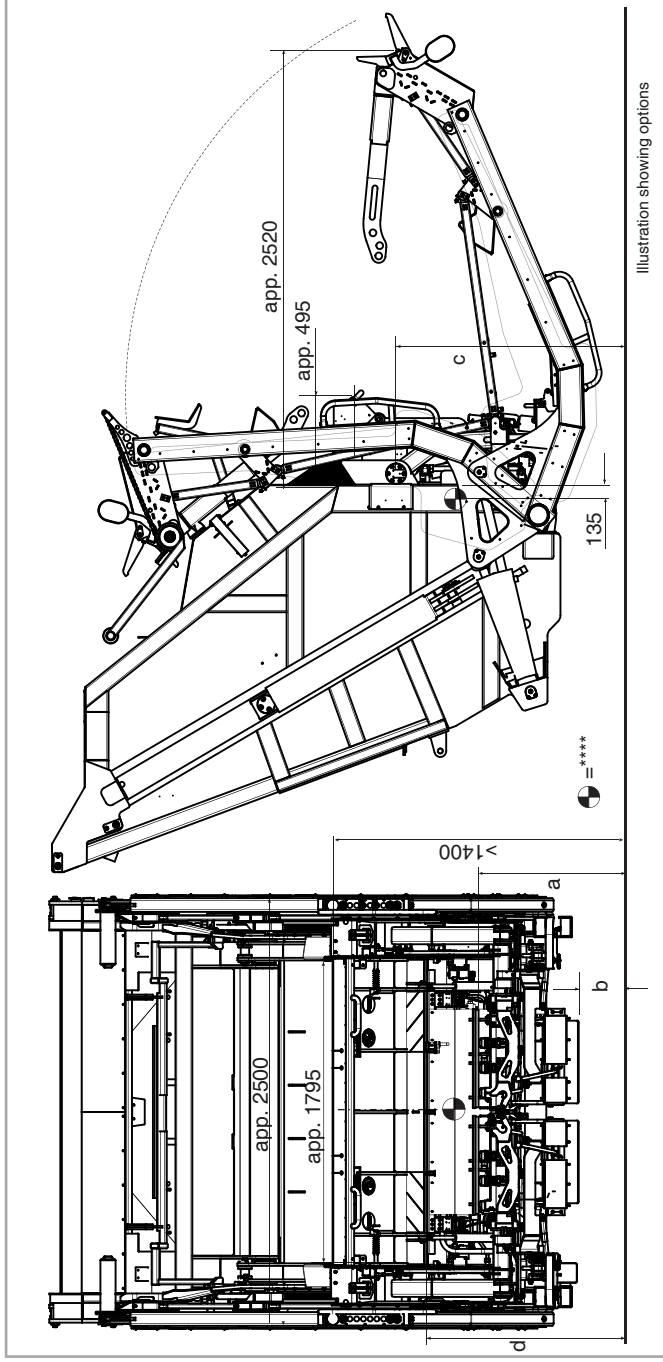


### ZOELLER-MEGA-456 – The universal bulk container lifter with integrated comb-lifter



#### Legend

- \* Cycle time (without dwell time) depends on installation height, container size and oil.
  - \*\* Lifting and tipping capacities refer to max. use of nominal container capacity with a refuse density acc. to standard., depending on centre of gravity.
  - \*\*\* Data relating to working area w/o container.
  - \*\*\*\* Position of lifter gravity centre with swinging arm in raised position.
- 1) container support pivoting
  - 2) guide flap in lowered position - chassis related
  - 3) only with opened lid

© by ZÖLLER-KIPPER GmbH • As of: 02/2018.  
Technical data subject to modification without prior notice..

Container types	Cont.	Cont.	Cont.	Cont.	Bammens	Stationary container
Specification in accordance w. model list Special containers upon request	80/120 l EN 840-1	140/240/340 l EN 840-1	500-1200 l EN 840-2	770-1300 l EN 840-3	500-1600 l EN 840-4	2,5-5 m <sup>3</sup> DIN 30737 / EN12574 <sup>3)</sup>
<b>Lifter dimensions in mm</b>						
<b>a</b> Setting height	820	900	950-1150	1150	950-1150	950-1150
<b>b</b> Ground clearance <sup>1)</sup>	330	410	630	630	630	630
<b>c</b> Installation height	1330	1330	1330	1330	1330	1330
<b>d</b> Loading height <sup>2)</sup>	1135	1135	1135	1135	1135	1135
<b>Technical data</b>						
Cycle time *	app. 8 s	app. 8 s	app. 12 s	app. 12 s	app. 12 s	app. 22 s
Lifting and tipping capacities **	3500 N	3500 N	3500 N	7000 N	7000 N	20000 N
Noise level ***	72 dB (A)	72 dB (A)	72 dB (A)	72 dB (A)	72 dB (A)	72 dB (A)
Hydraulic flow at coupling	40-50 l/min					
Operating pressure	210 bar					
Operating voltage	24 V					
Weight	app. 1500 kg					

