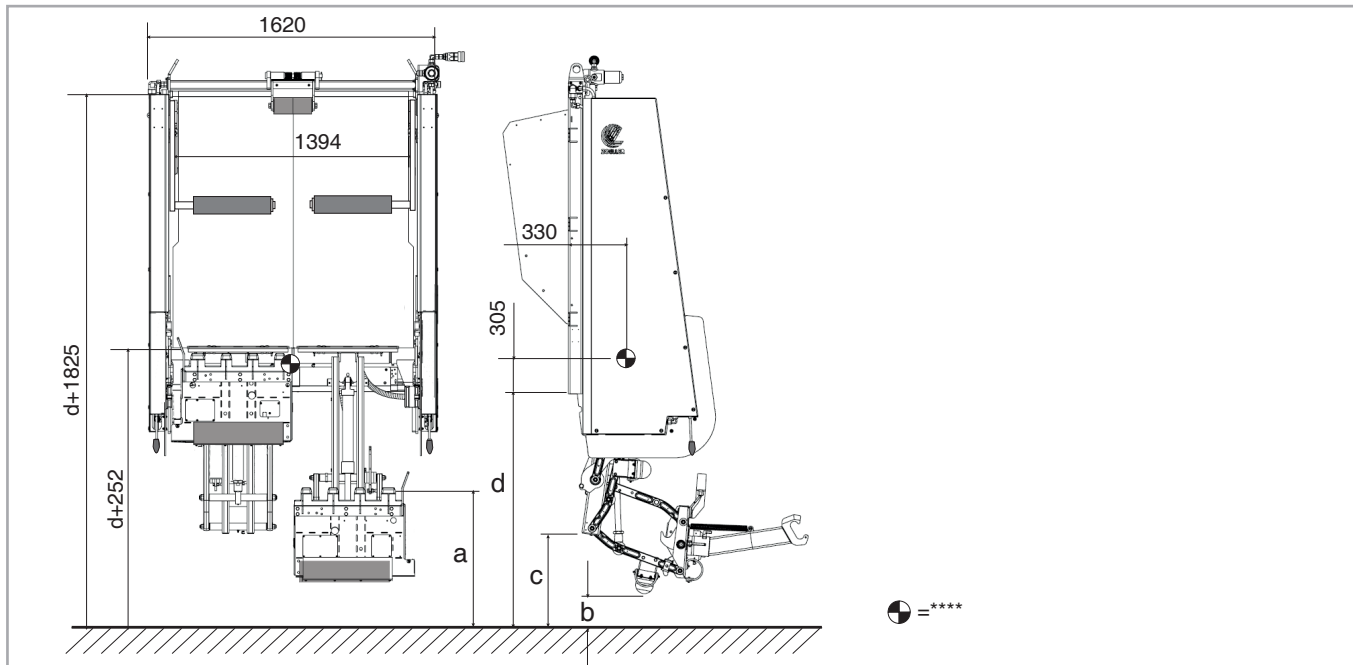


# DELTA High Level Lifter (HL)

## ZOELLER-DELTA System 301 -PREMIUM



### Legend

- \* Cycle time (without dwell time) depends on installation height, container size and oil.
- \*\* Lifting and tipping capacities refer to max. use of nominal container capacity with a refuse density acc. to standard.
- \*\*\* Data relating to working area w/o container.
- \*\*\*\* Position of lifter gravity centre with swinging arm in raised position.

© by ZÖLLER-KIPPER GmbH • As of: 1/2019.  
Technical data subject to modification without prior notice.

Entleerbare Behältertypen	Cont.	Cont.	Cont.	Cont.
Specification in accordance w. model list	80/120 l	140/240 l	500-1200 l	770-1300 l
Special containers upon request	EN 840-1	EN 840-1	EN 840-2	EN 840-3
Dimensions in mm				
a Setting height	820	900	900	900
b Ground clearance lift. carriage	300	380	380	380
c Ground clearance swing. arm	345-800	345-800	345-800	345-800
d Installation height	1150-1550	1150-1550	1150-1550	1150-1550
Technical data				
Cycle time *	app. 6-8 s	app. 6-8 s	app. 10-12 s	app. 10-12 s
Lifting and tipping capacities **	2x1500 N	2x1500 N	7000 N	7000 N
Noise level ***	70 dB (A)	70 dB (A)	66 dB (A)	66 dB (A)
Hydraulic flow required	38-45 l/min			
Operating pressure	180 bar			
Operating voltage	24 V			
Weight	app.. 630 kg			

