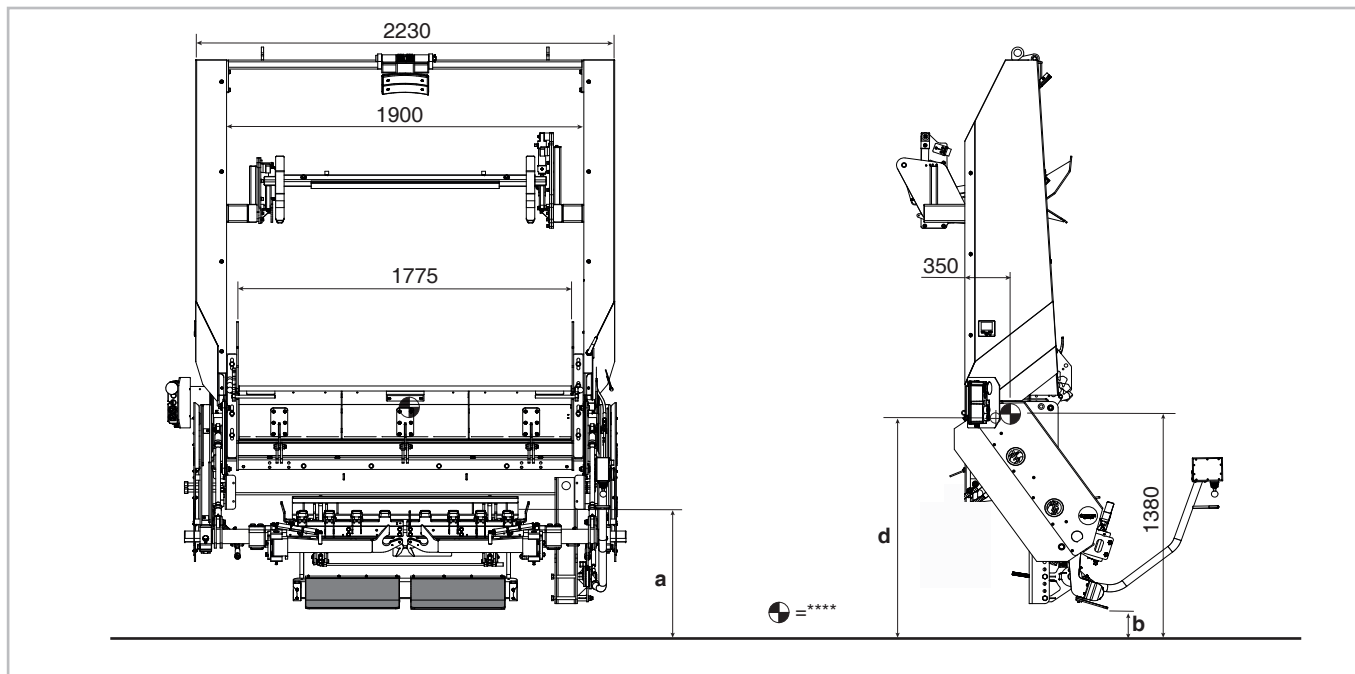


OMEGA 359

Low Level Lifter (LL)



ZOELLER System 359 -bolt on - The beam lifter with Joystick operation, folding arms



Legend

- * Cycle time depends on installation height, container size and oil viscosity.
- ** Lifting and tipping capacities refer to max. use of nominal container capacity with a refuse density acc. to standard.
- *** Data relating to working area w/o container.
- **** Position of lifter gravity centre with stowed Joystick.

© by ZÖLLER-KIPPER GmbH • As of: 5/2016.
Technical data subject to modification without prior notice.

Container types	Cont.	Cont.	Cont.	Cont.
Specification in accordance with model list	80/120 I	140/240/340 I	500-1200 I	770-1300 I
Special containers upon request	EN 840-1	EN 840-1	EN 840-2	EN 840-3
Dimensions in mm				
a Setting height	840	840	840	840
b Ground clear.- Cont. Supp.bottom/top)	350 / 440	350 / 440	350 / 440	350 / 440
d Installation height	1350 -25	1400 ±25	1400 ±25	1400 ±25
Technical data				
Cycle time *	app. 8 s	app. 8 s	app. 12 s	app. 12 s
Lifting and tipping capacities **	3500 N	3500 N	7000 N	7000 N
Noise level ***	70 dB (A)	70 dB (A)	66 dB (A)	66 dB (A)
Hydraulic flow required	40 +5/-2 l/min			
Operating pressure	210 bar			
Weight (depending on model)	app. 830 kg			

